



Model Number

NCN50-FP-A2-P4

Features

- Comfort series
- 50 mm non-flush

Technical Data

General specifications

| | | | |
|----------------------------|-------|---------------|-------|
| Switching element function | | PNP | NO/NC |
| Rated operating distance | s_n | 50 mm | |
| Installation | | non-flush | |
| Output polarity | | DC | |
| Assured operating distance | s_a | 0 ... 40.5 mm | |
| Reduction factor r_{Al} | | 0.4 | |
| Reduction factor r_{Cu} | | 0.3 | |
| Reduction factor r_{304} | | 0.85 | |

Nominal ratings

| | | |
|--------------------------------|-------|----------------------------|
| Operating voltage | U_B | 10 ... 60 V |
| Switching frequency | f | 0 ... 80 Hz |
| Hysteresis | H | typ. 3 % |
| Reverse polarity protection | | reverse polarity protected |
| Short-circuit protection | | pulsing |
| Voltage drop | U_d | ≤ 3 V |
| Operating current | I_L | 0 ... 200 mA |
| Off-state current | I_r | 0 ... 0.5 mA |
| No-load supply current | I_0 | ≤ 20 mA |
| Time delay before availability | t_v | ≤ 300 ms |
| Operating voltage indicator | | LED, green |
| Switching state indicator | | LED, yellow |

Functional safety related parameters

| | |
|--------------------------------|-------|
| MTTF _d | 680 a |
| Mission Time (T _M) | 20 a |
| Diagnostic Coverage (DC) | 0 % |

Ambient conditions

| | |
|---------------------|--------------------------------|
| Ambient temperature | -25 ... 70 °C (-13 ... 158 °F) |
|---------------------|--------------------------------|

Mechanical specifications

| | |
|----------------------------|---|
| Connection type | screw terminals |
| Information for connection | A maximum of two conductors with the same core cross-section may be mounted on one terminal connection! tightening torque 1.2 Nm + 10 % |
| Core cross-section | up to 2.5 mm ² |
| Minimum core cross-section | without wire end ferrule 0.5 mm ² , with connector sleeves 0.34 mm ² |
| Maximum core cross-section | without wire end ferrule 2.5 mm ² , with connector sleeves 1.5 mm ² |
| Housing material | PBT/base of metal |
| Sensing face | PBT |
| Housing base | metal |
| Degree of protection | IP68 |

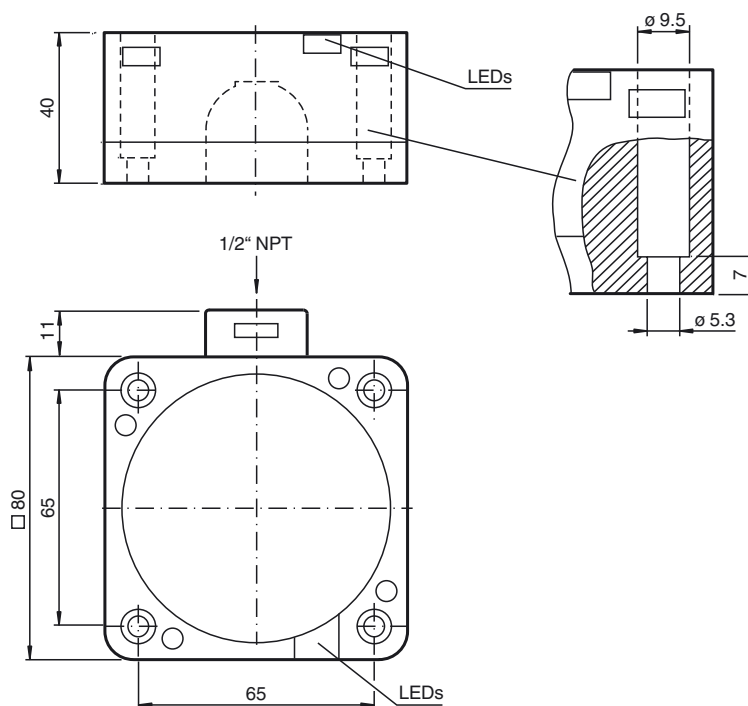
Compliance with standards and directives

| | |
|---------------------|---|
| Standard conformity | |
| Standards | EN 60947-5-2:2007 IEC 60947-5-2:2007 |

Approvals and certificates

| | |
|--------------|---|
| UL approval | cULus Listed, General Purpose |
| CSA approval | cCSAus Listed, General Purpose |
| CCC approval | Certified by China Compulsory Certification (CCC) |

Dimensions



Electrical Connection

